

# Kidde Fire Systems

## HPCO<sub>2</sub> Component Description

### Handle Clip and Horn Clip

#### FEATURES

- *UL Listed for HPCO<sub>2</sub> Service*

#### DESCRIPTION

The Valve and Horn Clips secure the discharge horn & shut-off valve assembly to the adjacent vertical structure. As each name implies, the Valve Clip affixes to the Shut-Off valve and the Horn Clip affixes to the outlet rim of the Discharge Horn. The Discharge Horn rests between the Horn Clip and adjacent structure. Press the Shut-Off Valve into the quick release of the Valve Clip and push in the safety pin.

#### SPECIFICATIONS

Clip, Handle      Metal, Painted or Plated  
Clip, Horn        Steel, Painted

#### REFERENCED COMPONENTS

Description	Reference Data Sheet
Discharge Horn & Shut-Off Valve	K-81-1210

#### ORDERING INFORMATION

Description	Part Number
Clip, Valve	81-960099-000
Clip, Horn	81-939000-000

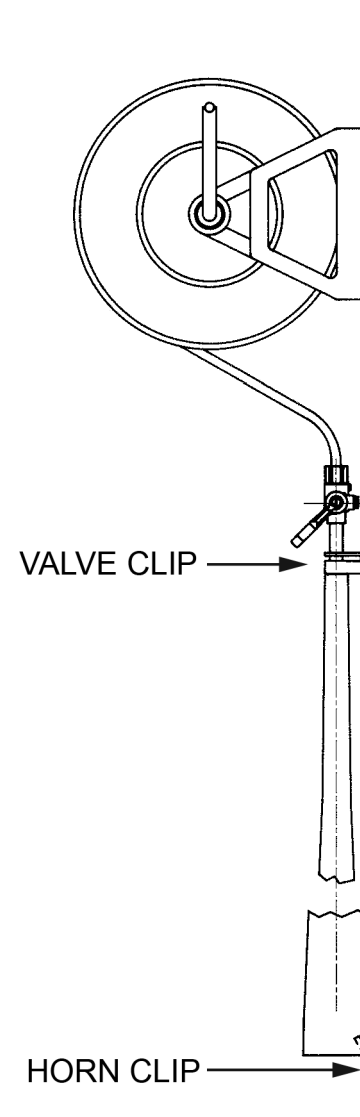
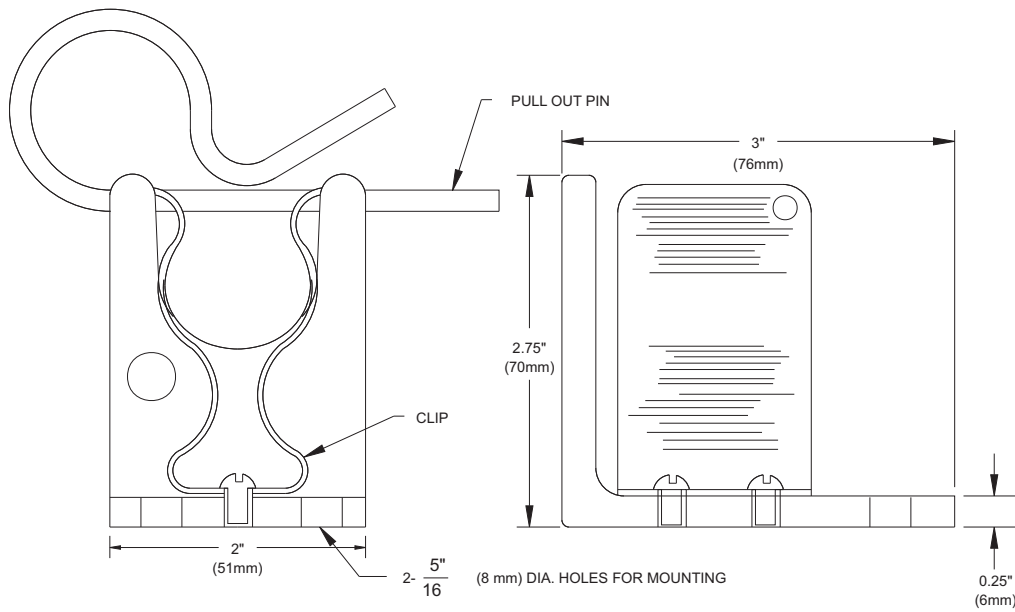
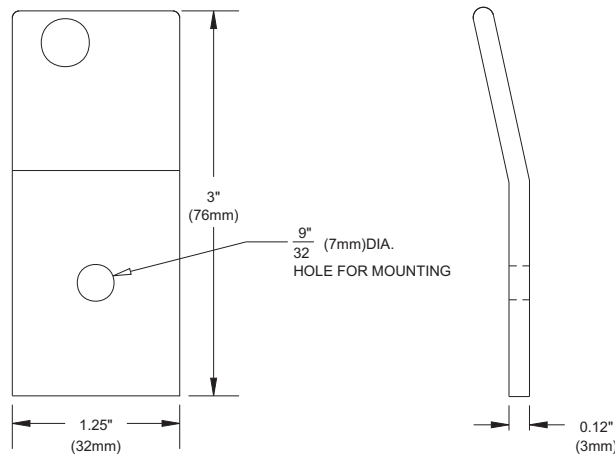


Figure 1. Valve and Horn Clip



Valve Clip, P/N: 81-960099-000



Horn Clip, P/N: 81-939000-000

Figure 2. Valve and Horn Clip Dimensions

**EXPORT INFORMATION (USA)**

Jurisdiction: EAR

Classification: EAR99

This document contains technical data subject to the EAR.

All trademarks are the property of their respective owners.

This literature is provided for informational purposes only. KIDDE-FENWAL, INC. believes this data to be accurate, but it is published and presented without any guarantee or warranty whatsoever. KIDDE-FENWAL, INC. assumes no responsibility for the product's suitability for a particular application. The fire suppression system design, installation, maintenance, service and troubleshooting must be performed by trained, authorized Kidde Fire Systems distributors for the product to work correctly. If you need more information on this product, or if you have a particular problem or question, contact: KIDDE-FENWAL, INC., Ashland, MA 01721 USA, Telephone: (508) 881-2000.